

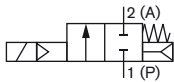


## 2/2 way Solenoid Valve safety shut off valve for oil burner

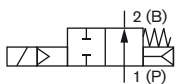
- NC-valves, approved acc. to DIN EN ISO 23553 - 1
- Medium: liquid fuels
- Easy servicing due to modular coil system
- Feed line valve or circulations valve
- IP65

Type 5406 valves are pilot-controlled solenoid valves with servo pistons. Depending on the version, these valves can be used either as feed line or circulation valves. The valves fulfill the requirements of a safety shut off valve according to DIN EN 23553 - 1. It is approved by TÜV-Süd and certified by DIN Certco. The universal coil system reduces logistics and service expenses.

### Circuit function A (NC)



### Circuit function B (NO)



| Technical Data                                |   |    |          |   |       |    |       |    |       |
|---|---|----|----------|---|-------|----|-------|----|-------|
| <b>Medium</b>                                 | Heating oil (EL, L, M, S) acc. to DIN 51603 part 1 - 6<br>Shipping fuels acc. to ISO 8217<br>Fatty Acid Methyl Esters (FAME) acc. to DIN EN 14213<br>Rapeseed oil acc. to DIN V 51605 |    |          |   |       |    |       |    |       |
| <b>Viscosity</b>                              | 1.6 to 76 mm <sup>2</sup> /s  |    |          |   |       |    |       |    |       |
| <b>Medium temperature</b>                     | 0 ... 160 °C  |    |          |   |       |    |       |    |       |
| <b>Ambient temperature</b>                    | - 15 to + 60 °C   |    |          |   |       |    |       |    |       |
| <b>Orifice</b>                                | 13:20   |    |          |   |       |    |       |    |       |
| <b>Body material</b>                          | Brass, stainless steel  |    |          |   |       |    |       |    |       |
| <b>Seal material</b>                          |   |    |          |   |       |    |       |    |       |
| Seat  | PTFE  |    |          |   |       |    |       |    |       |
| housing                                       | FKM   |    |          |   |       |    |       |    |       |
| <b>Coil material</b>                          | Insulation class H: Epoxy   |    |          |   |       |    |       |    |       |
| <b>Port connection</b>                        | G ¼, G ⅜, G ½, G ¾  |    |          |   |       |    |       |    |       |
| <b>Protection class</b>                       | IP65  |    |          |   |       |    |       |    |       |
| <b>Voltages</b>                               | 110 V/50 Hz, 230 V/50 Hz others on request  |    |          |   |       |    |       |    |       |
| <b>Duty cycle</b>                             | Continuous operation 100% ED  |    |          |   |       |    |       |    |       |
| <b>Electrical connection</b>                  | acc. to DIN EN 175301 - 803 Form A  |    |          |   |       |    |       |    |       |
| <b>DIN Certco registration</b><br>(NC-valves) | <table border="1"> <tr> <td>DN</td> <td>Reg. No.</td> </tr> <tr> <td>6</td> <td>5S255</td> </tr> <tr> <td>13</td> <td>5S255</td> </tr> <tr> <td>20</td> <td>5S255</td> </tr> </table> | DN | Reg. No. | 6 | 5S255 | 13 | 5S255 | 20 | 5S255 |
| DN  | Reg. No.  |    |          |   |       |    |       |    |       |
| 6   | 5S255   |    |          |   |       |    |       |    |       |
| 13  | 5S255   |    |          |   |       |    |       |    |       |
| 20  | 5S255   |    |          |   |       |    |       |    |       |

Technical Data

| Circuit function | Port connection | Orifice<br>[mm] | K <sub>v</sub> value water<br>[m <sup>3</sup> /h] | Pressure range<br>[bar] | Closing time | Body material   | Function          | Power consumption |           |
|------------------|-----------------|-----------------|---|-------------------------|--------------|-----------------|-------------------|-------------------|-----------|
|                  |                 |                 |   |                         |              |                 |                   | Operation W       | Inrush VA |
| NC (A)           | G ¼             | 6.0             | 0.46  | 1 - 30                  | < 100        | Brass           | Feed line valve   | 20                | 150       |
|                  | G ¾, G ½        | 13.0            | 3.5   | 1 - 30                  | < 500        | Brass           | Feed line valve   | 20                | 120       |
|                  | G ¾             | 20.0            | 6.3   | 1 - 30                  | < 800        | Stainless steel | Feed line valve   | 20                | 120       |
| NO (B)           | G ¾, G ½        | 13.0            | 3.0   | 1 - 30                  | < 500        | Brass           | Circulation valve | 20                | 120       |

Feed line/return line valve combinations

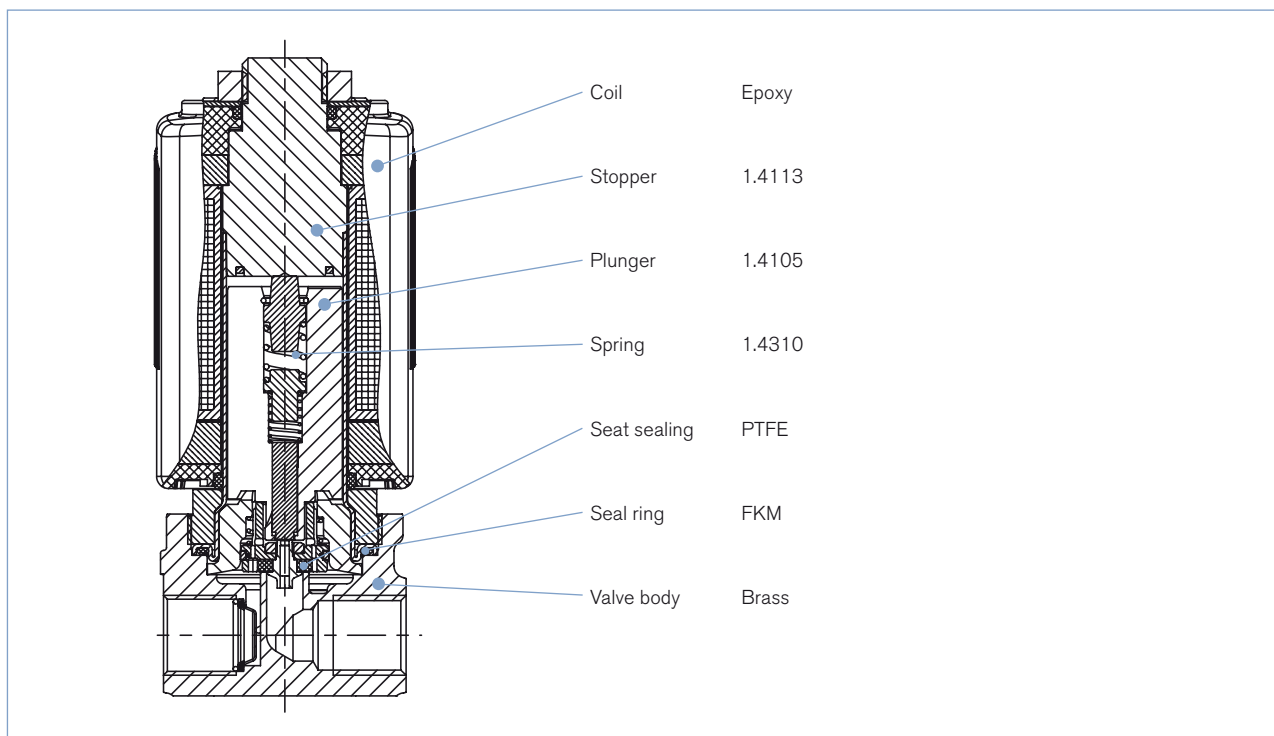
For oil burner with feed line valve and return line valve the following safety shut off valves combinations are available.

| Feed line valve |                 |                 |   | Return line valve |                 |                 |   |
|-----------------|-----------------|-----------------|---|-------------------|-----------------|-----------------|---|
| Type            | Orifice<br>[mm] | Body material   | K <sub>v</sub> value water<br>[m <sup>3</sup> /h] | Type              | Orifice<br>[mm] | Body material   | K <sub>v</sub> value water<br>[m <sup>3</sup> /h] |
| 6027*           | 2.2             | Brass           | 0.15  | -                 | -               | -               | -   |
| 6027*           | 3               | Brass           | 0.22  | 6027*             | 3               | Brass           | 0.18  |
| 5406            | 6               | Brass           | 0.46  | 6027*             | 4               | Brass           | 0.47  |
| 5406            | 13              | Brass           | 3.5   | 6027*             | 10              | Brass           | 1.8   |
| 5406            | 20              | Stainless steel | 6.3   | 5407**            | 20              | Stainless steel | 4.7   |

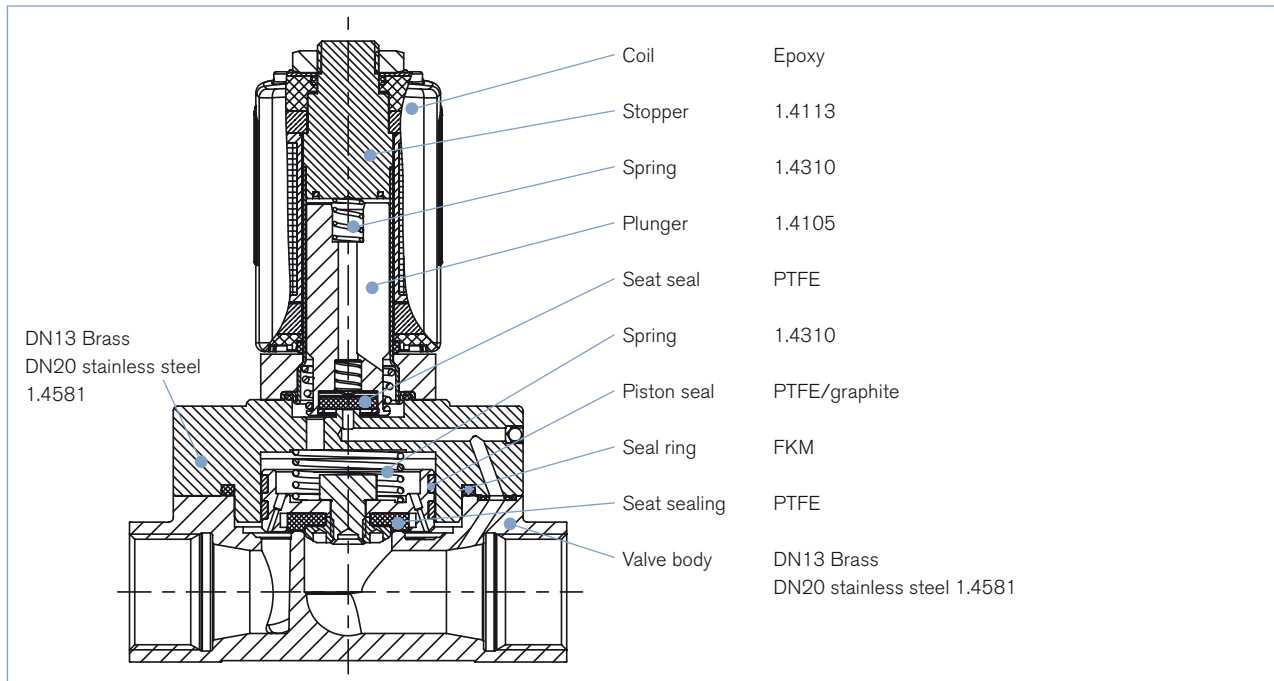
\* compare datasheet Type 6027 Safety Shut-Off Valve/Oil

\*\* compare datasheet Type 5407 Safety Shut-Off Valve/Oil

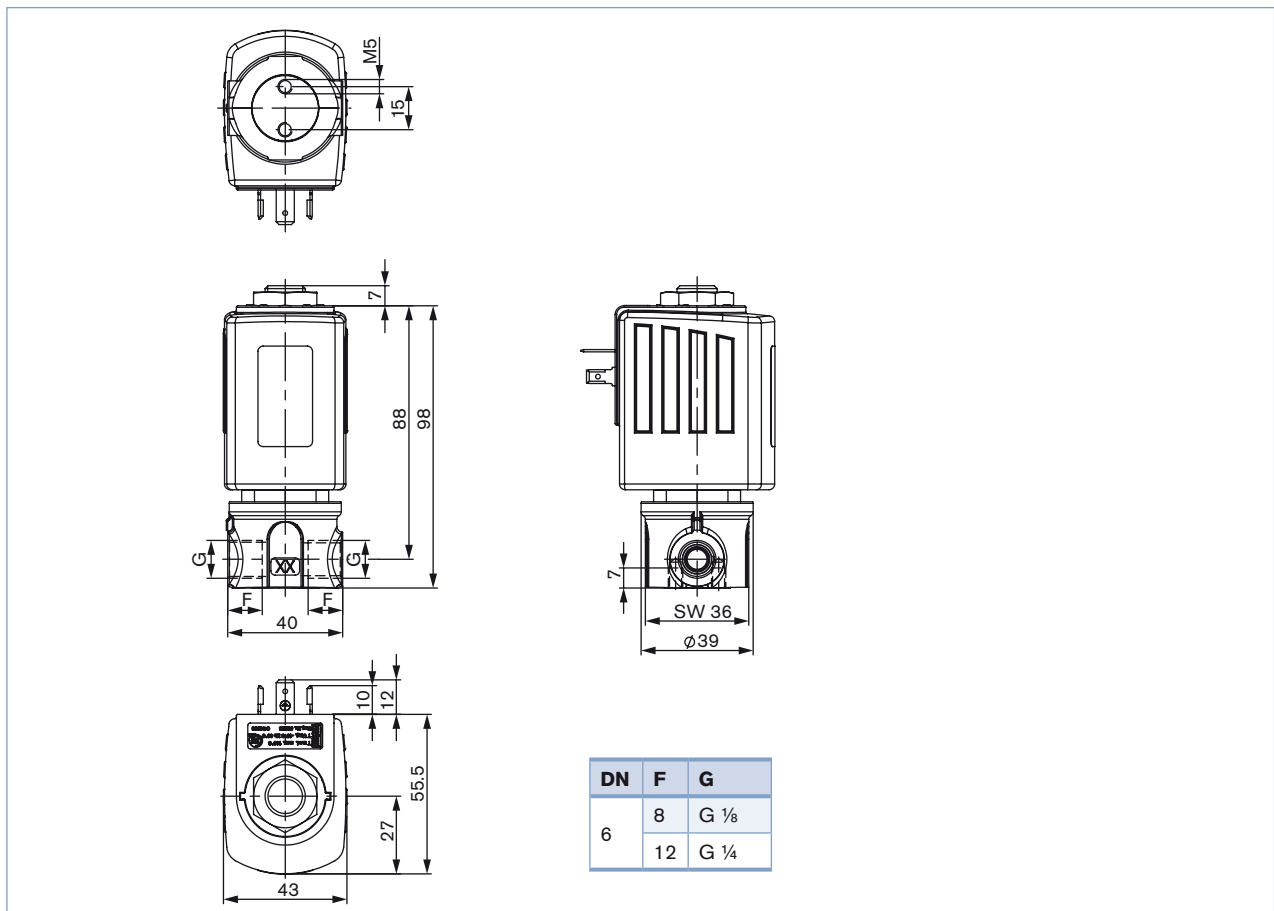
Materials Version DN6



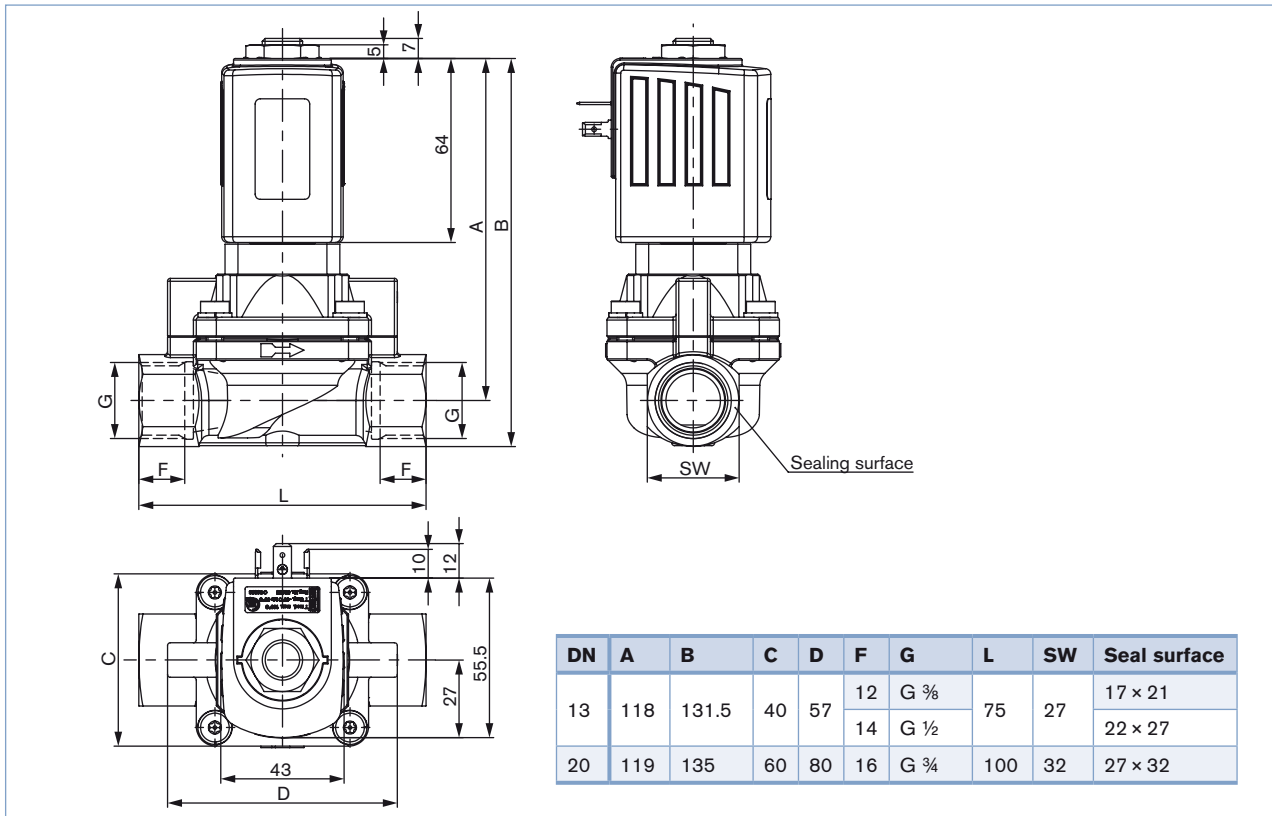
**Materials Version DN13, 20**



**Dimensions [mm] Version DN6**



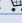



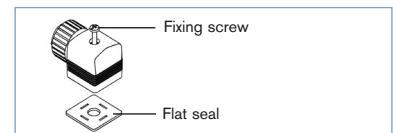
Dimensions [mm] Version DN13, 20



Ordering chart accessories

Cable Plug Type 2508 acc. to DIN EN 175301 - 803 Form A (previously DIN 43650)

|  | Circuit               | Voltage         | Article no.  |
|---|-----------------------|-----------------|--|
|   | None (standard)       | 0 - 250 V AC/DC | 008376  |
|   | with LED              | 200 - 240 V     | 008362  |
|   | with LED and varistor | 200 - 240 V     | 008369  |
| further versions see datasheet Type 2508  |                       |                 |  |



The delivery of a cable plug includes the flat seal and the fixing screw.  
Further versions of cable plugs acc. to DIN EN 175301 - 803 A (previously DIN 43650) see datasheet Type 2508.

**More info.**

To find your nearest Bürkert facility, click on the orange box →

[www.buerkert.com](http://www.buerkert.com)

In case of special application conditions, please consult for advice.

We reserve the right to make technical changes without notice.  
© Christian Bürkert GmbH & Co. KG

1802/1\_EU-en\_00895180